

SERIES AD34

ACURO™ brand

Single Turn Absolute Encoder

Key Features

- **Special Notched Shaft Installs Easily in One Step and Eliminates Coupling Issues**
- **Up to 19 bits of Singleturn Absolute Positioning**
- **Wide -15° to +120°C Operating Temperature Covers Majority of Servomotor Applications**



NEW!



SPECIFICATIONS

ELECTRICAL

Supply Voltage: 5 VDC -5 %/+10 % or 7 - 30 VDC

Max. Current w/o Load: 50 mA

Resolution Singleturn: 12 -17 Bit

Output Code: Gray

Drives: Clock and Data / RS422

Incremental signals: Optional Sinus-Cosinus 1 Vpp

Number of Pulses: 2,048

3dB Limiting Frequency: 500 kHz

Absolute Accuracy: ±35"

Repeatability: ±7"

Alarm Output: Alarm bit (SSI-Option), warning bit and alarm bit (BiSS)

MECHANICAL

Housing Diameter: 37.5 mm (1.48")

Shaft Diameter: 6 mm (Notched Shaft)

Mounting: Spring Tether

Protection Class (EN 60529): IP40 Housing & Shaft

Shaft Speed (maximum): 10,000 RPM (continuous), 12,000 RPM (peak)

Torque: 0.01 Ncm

Moment of Inertia: approx. 2.5×10^{-6} kgm²

Weight: approx. 80g (2.8 oz.)

Connections: Cable, radial; PCB connector, 12 pole

ENVIRONMENTAL

Vibration: 100 m/s² (10 to 2,000 Hz) (DIN EN 60068-2-6)

Shock: 1,000 m/s² for 6 msec duration (DIN EN 60068-2-27)

Operating Temperature: -15°C to +120°C

Storage temperature: -15°C to +85°C (due to packaging)

CONNECTIONS

PIN	1b	2b	3b	4b	5b	6b
Function	DC 5V / 7-30V (U _p)	Clock	B -	0 V (U _n)	A -	Data
Color	White	Yellow	Gray/Pink	Brown	Brown/Green	Pink
PIN	1a	2a	3a	4a	5a	6a
Function	Data	A +	0 V -Sen	B +	Clock	5V Sensor
Color	Gray	White/Green	Black	Red/Blue	Green	Violet

U_p = power Supply

Sensor is connected to Power Supply and 0 V (U_n)

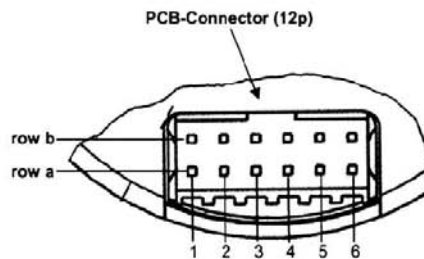
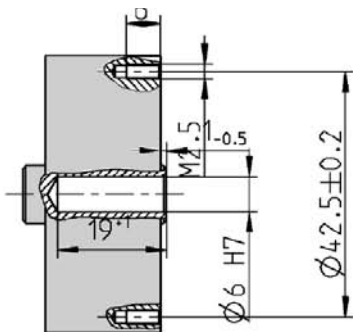
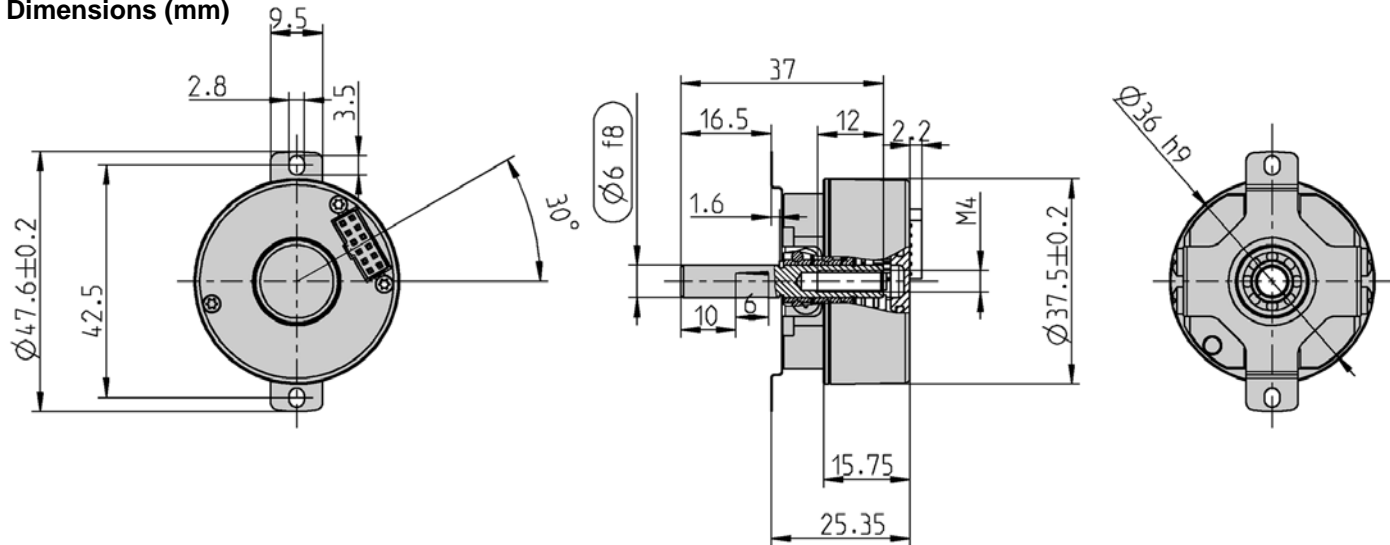
Shield connected to case

Ordering Information

To order, complete the model number with code numbers from the table below:

Code 1: Model	Code 2: Resolution	Code 3: Voltage	Code 4: Flange/Protection/Shaft	Code 5: Output	Code 6: Connection
AD34	<input type="checkbox"/> <input type="checkbox"/> <input type="checkbox"/> <input type="checkbox"/>	<input type="checkbox"/>	<input type="checkbox"/> <input type="checkbox"/> <input type="checkbox"/>	<input type="checkbox"/> <input type="checkbox"/>	<input type="checkbox"/>
AD34 ACURO Absolute Encoder	0012 12 Bit ST 0013 13 Bit ST 0014 14 Bit ST 0017 17 Bit ST 0019 19 Bit ST	A 5 VDC* E 7-30 VDC *Note: No inverse polarity protection	U.0N Spring Tether, IP40, 8mm Notched Shaft	BI BiSS SG SSI Gray SC SSI Gray (+SinCos 1Vpp)	0 PCB Connector, axial, 12 pole 2 PCB Connector, radial, 12 pole A PCB Connector, axial, 12 pole, with mating connector and 0.5 m cable B PCB Connector, radial, 12 pole, with mating connector and 0.5 m cable

Dimensions (mm)



12 pin PCB connector manufacture Berg, type Minitex



Worldwide Brands: NorthStar™ • Acuro™ • Dynapar™ • Hengstler™ • Harowe™
Headquarters: 1675 Delany Road • Gurnee, IL 60031-1282 • USA • Phone: 1.847.662.2666 • Fax: 1.847.662.6633

Satellite Locations:

- **North America:** North Carolina, South Carolina, Connecticut, Massachusetts, New York, Canada, British Virgin Islands
- **West Indies:** St. Kitts
- **Europe:** United Kingdom, Italy, France, Germany, Spain, Slovakia
- **South America:** Brazil
- **Asia:** China, Japan, Korea, Singapore

Customer Service:

Tel.: +1.800.873.8731
Fax: +1.847.662.4150
custserv@dynapar.com

Technical Support

Tel.: +1.800.234.8731
Fax: +1.847.782.5277
dynapar.techsupport@dynapar.com

European Sales Representative

Hengstler GmbH
Uhlandstrasse 49, 78554 Aldingen
Germany
www.hengstler.de