

SERIES LM & LAM

Dynapar™ brand

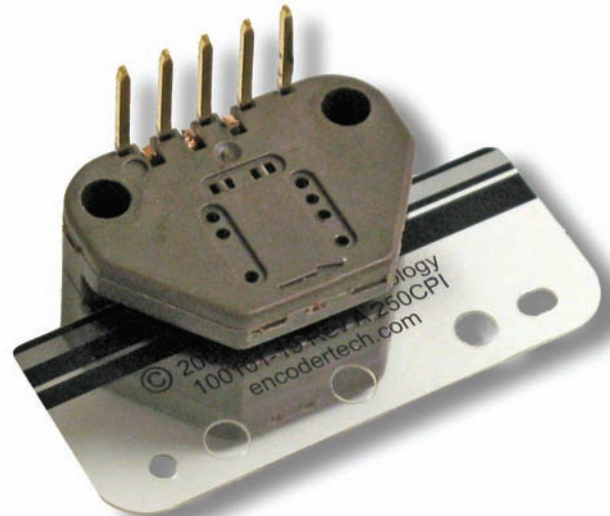
Kit Encoder

Key Features

- Compact Size for Easy Integration
- Advanced Phased-Array Sensor Technology with Digital or Analog Output
- Rugged Plastic or Metal Scale Material



NEW!



SPECIFICATIONS

ELECTRICAL

- Code:** Incremental
- Resolution:** See ordering information for standard resolutions
- Supply Voltage:** 5Vdc + 10% at 60mA maximum
- Output Format:** Dual channel quadrature
- Output Format Options:** Index
- Output Type – Digital:** Square wave, TTL and CMOS compatible, 10mA sink
- Output Type – Analog:** Output from diode array
- Frequency Response:** 125 kHz (data and index)

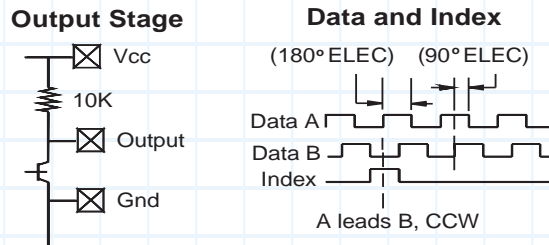
MECHANICAL

- Dimensions:** See module outline dimensions
- Weight:** <0.25 ounces
- Termination:** .025 sqr. discrete pins
- Materials**
- Module:** Molded PPS 40% glass (R-4)
- Pins:** gold plated
- Scale:** Mylar or etched metal

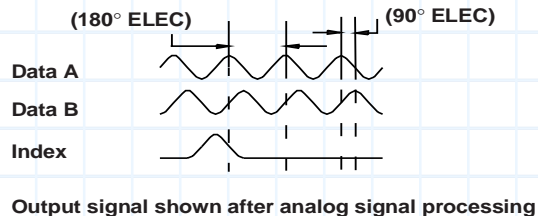
ENVIRONMENTAL CONDITIONS

- Operating Temperature:** -40° to 100°C (non-condensing)
- Storage Temperature:** -40° to 100°C
- Enclosure:** Unsealed housing

Digital Output

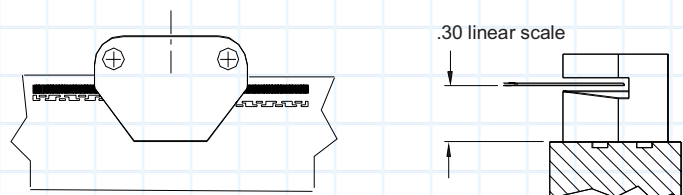


Analog Output Wave Forms



Output signal shown after analog signal processing

SCALE MOUNTING



Linear Module Scale made to order: contact factory

ORDERING INFORMATION

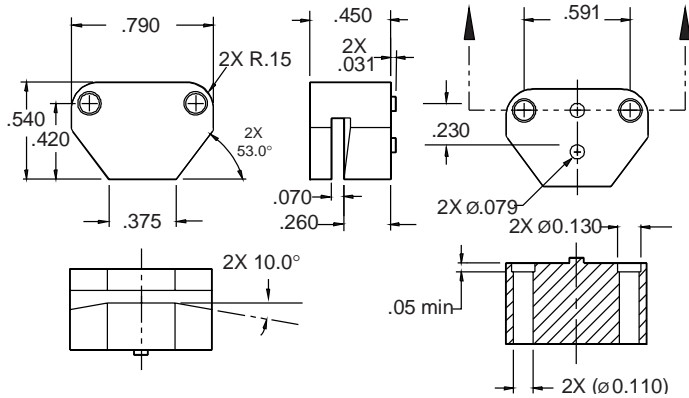
To order, complete the model number with code numbers from the table below:

Encoder Module (Linear)	Scale Characteristics								
<p>Digital LM 720CPI - 3T - See Note</p> <p style="text-align: center;">1. 3.</p> <p>Analog LAM 500CPI 6T</p> <p style="text-align: center;">2. 3.</p>	<p>Standard Resolution - Digital after 4x edge multiplication.</p> <p>12 cycles/mm = 0.0008 Inch Available Scale Length: 1.5 inches</p> <p>25 cycles/mm = 0.01mm Available Scale Length: Up to 600mm</p> <p>720 cycles per inch = 0.00035 inch Available Scale Length: 0.75, 1.0, 1.26, 1.70, 2.03, 3.255 or 4.8 inches</p>								
<p>1.Linear Digital Module (LM) 12CPMM.....12 cycles/mm 25CPMM.....25 cycles/mm 720CPI.....720 cycles/inch See "Current Resolutions List" for Scale Lengths.</p> <p>2. Linear Analog Module (LAM) 250CPI.....250 cycles /inch 500 cycles/inch.....500CPI See "Current Resolutions List" for Scale Lengths.</p> <p>3.Lead Positions</p> <p>Digital</p> <table style="width: 100%; border-collapse: collapse;"> <tr> <td style="width: 50%;">Side Exit</td> <td style="width: 50%;">Top Exit</td> </tr> <tr> <td>A.....1S</td> <td>A.....1T</td> </tr> <tr> <td>AB.....2S</td> <td>AB.....2T</td> </tr> <tr> <td>ABZ.....3S</td> <td>ABZ.....3T</td> </tr> </table> <p>Analog</p> <p>Top Exit</p> <p>ABZ.....6T</p> <p style="text-align: center;">Note: When ordering Modules with a Gated Index, add a "G". For Ungated Index, add a "U".</p>	Side Exit	Top Exit	A.....1S	A.....1T	AB.....2S	AB.....2T	ABZ.....3S	ABZ.....3T	<p>Standard Resolution – Analog Available in custom lengths to 6 feet. Consult factory.</p> <p>250 cycles per inch = 1.6 microns after16x interpolate and 4x edge multiplication.</p> <p>500 cycles per inch = .8 microns after16X interpolate and 4x edge multiplication.</p> <p>Length & Index Positioning Per customer requirement Consult factory for availability, part numbers and pricing.</p>
Side Exit	Top Exit								
A.....1S	A.....1T								
AB.....2S	AB.....2T								
ABZ.....3S	ABZ.....3T								

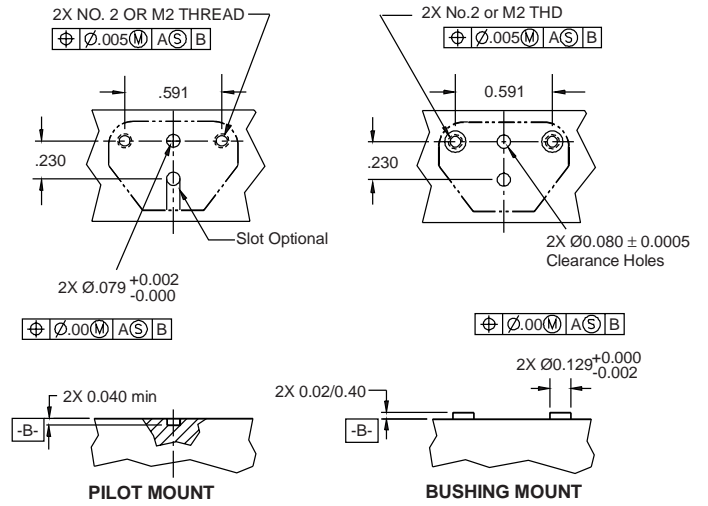
SERIES LM & LAM



Module Outline Dimensions



Recommended Mounting Configurations

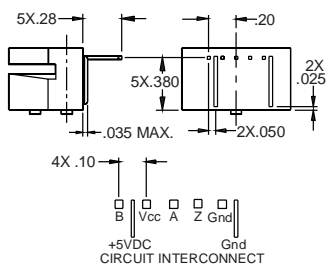


Pin Layouts

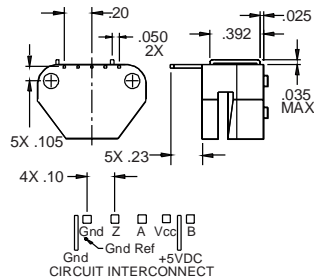
The Optical Encoder Modules come standard in either top mount or side mount with A, B, and Index Channels.

ABZ CONFIGURATION 5X .025 square pins

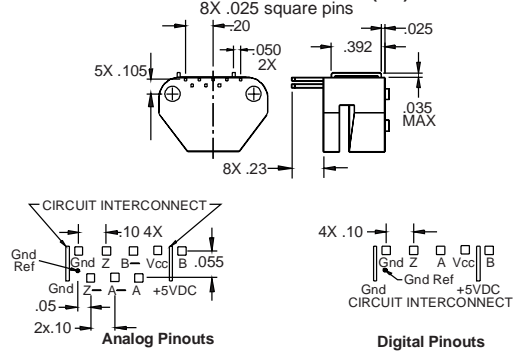
SIDE MOUNT (-1S, -2S, -3S)



TOP MOUNT (-1T, -2T, -3T)



ANALOG CONFIGURATIONS (-6T)



Dynapar™ brand



Worldwide Brands: NorthStar™ • Acuro™ • Dynapar™ • Hengstler™ • Harowe™
Headquarters: 1675 Delany Road • Gurnee, IL 60031-1282 • USA • Phone: 1.847.662.2666 • Fax: 1.847.662.6633

Satellite Locations:

- **North America:** North Carolina, South Carolina, Connecticut, Massachusetts, New York, Canada, British Virgin Islands
- **West Indies:** St. Kitts • **Europe:** United Kingdom, Italy, France, Germany, Spain, Slovakia
- **South America:** Brazil • **Asia:** China, Japan, Korea, Singapore

Customer Service:

Tel.: +1.800.873.8731
Fax: +1.847.662.4150
custserv@dynapar.com

Technical Support

Tel.: +1.800.234.8731
Fax: +1.847.782.5277
dynapar.techsupport@dynapar.com