

# SERIES RIM 6200

**NorthStar™ brand**

## Severe Duty Encoder

### Key Features

- **Foot-Mount or 56-C Face Mount Ideal for “Flower Pot” or Belt Drive Applications**
- **Extra Heavy Duty Bearings for Long Life**
- **Stainless Steel and Ductile Cast Iron Construction**
- **Sensor Modules are Removable On-The-Fly and Provide up to 2048PPR**



## SPECIFICATIONS

### STANDARD OPERATING CHARACTERISTICS

**Code:** Incremental  
**Pulses per Revolution:** 60-2048  
**Phasing Sense:** A leads B for Counter-Clockwise rotation (CCW) viewing encoder-mounted end  
**Quadrature Phasing:** 90° ± 22°  
**Symmetry:** 180° ± 54°  
**Index:** 270°, ungated (optional gated to falling B edge)

### ELECTRICAL

**Input Voltage Requirement:** 5-15 or 15-26 Volts DC  
**Current Requirement:**  
 With Electrical Option L: 45 mA typical per sensor module plus line driver load  
 With Electrical Option R: 65 mA typical per sensor module plus line driver load  
 With Electrical Option 5: 65 mA typical per sensor module plus line driver load

### ELECTRICAL CONNECTIONS

Signal	Connector Pin	Pigtail Cable	MS 3102E18-IT#
Common	1	Black	A
B	2	Green	E
A	3	Blue	D
Z *	4	Violet	C
No Connection	5	—	—
Vcc	6	Red	B
B	7	Yellow	H
A	8	Gray	G
Z *	9	Orange	I
Shield	10	Braid	J

\* Index (Z) optional. See Ordering Information

### Output Signals:

With Elec Option L: 5-15 V Line Driver, 150mA  
 With Elec Option R: 15 V Line Driver, 150mA  
 With Elec Option 5: 5V Line Driver, 150mA  
**Frequency Response:** 0 - 120kHz Data & Index  
**Electrical Immunity:** 2kV ESD, Reverse Polarity, Short Circuit  
**Connector:** 10 pin industrial duty latching, sealed NEMA 4 & 12, IP65

### MECHANICAL

**Shaft Speed:** 7,000 RPM  
**Mounting Configuration:** 4.5" [115mm] diameter, 56 C motor face or accessory flange to meet NEMA MG1-4 standards; foot mount with 4 slotted bolt holes  
**Housing Material:** Cast Iron/Stainless Steel  
**Acceleration Rate:** 3600 rpm/sec max

**Shaft :** 0.625" (16mm) diameter with standard key, single or double ended

**Shaft Material Options:** Hot Rolled Carbon Steel or Stainless steel

### Shaft Axial/Radial Loading:

**Hot Rolled Steel:** 50 lbf axial, 50 lbf radial  
**Stainless Steel:** 35 lbf axial, 35 lbf radial

### ENVIRONMENTAL

**Operating Temperature Range:** -40°C to +70°C  
**Storage Temperature Range:** -40°C to +120°C  
**Humidity:** to 98% RH (non-condensing)  
**Shock (Sensor Module):** 1 meter drop test, 30 G's Min  
**Vibration:** 18 G's @ 5-2000 Hz spectrum

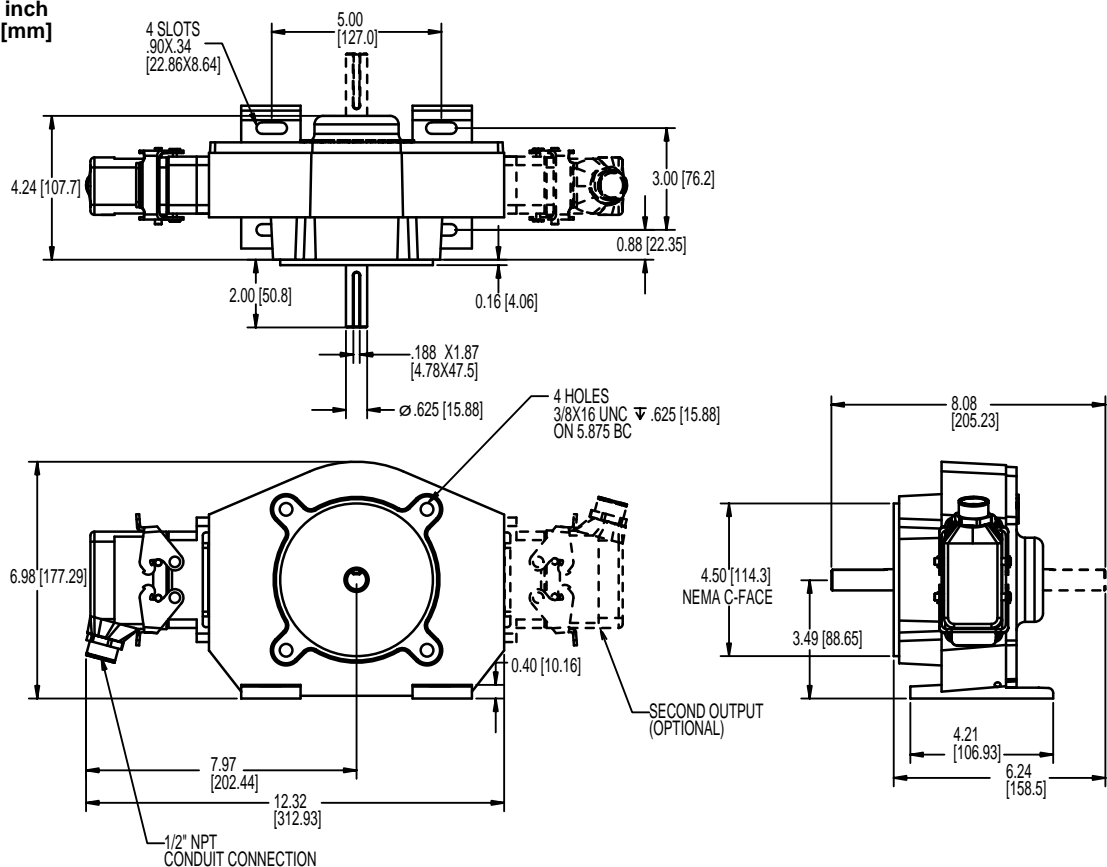
**Ordering Information**

To order, complete the model number with code numbers from the table below:

Code 1: Model	Code 2: PPR	Code 3: Index	Code 4: Shaft	Code 5: Output	Code 6: Electrical	Code 7: Termination	
<b>R6</b>	□□□□	□	□□□	□	□	□	
Ordering Information							
<b>R6</b> Foot Mount or Close Coupled	<b>0060</b> <b>0064</b> <b>0075</b> <b>0120</b> <b>0128</b> <b>0150</b> <b>0240</b> <b>0256</b>	<b>0300</b> <b>0480</b> <b>0512</b> <b>0600</b> <b>0960</b> <b>1024</b> <b>1200</b> <b>2048</b>	<b>L</b> No Index  Available when Code 2 is 0480, 0512, 0600, 0960 1024, 1200 or 2048  <b>G</b> Gated Index (Z, Z̄)  <b>Z</b> Differential Index (Z, Z̄)	<b>A</b> Single Shaft, Stainless Steel  <b>B</b> Dual Shaft, Stainless Steel  <b>S</b> Single Shaft, Steel  <b>D</b> Dual Shaft, Steel	<b>1</b> Single Output  <b>2</b> Dual Output, Isolated  Differential, bidirectional signals (A, Ā, B, B̄)	<b>L</b> 5-15V in, 5-15V Line Driver (4428) out  <b>R</b> 15-26V in, 15V Line Driver (4428) out  <b>5</b> 5-15V in, 5V Line Driver (4428) out	<b>C</b> Latching Industrial Connector with 1/2" NPT  <b>M</b> 10 pin MS Connector  <b>P</b> 18" Pigtail

**Note:** See ACCESSORIES Section For Connectors, Spare Parts and Pulse Wheels

**DIMENSIONS** inch [mm]



**Satellite Locations:**

- **North America:** North Carolina, South Carolina, Connecticut, Massachusetts, New York, Canada, British Virgin Islands
- **West Indies:** St. Kitts • **Europe:** United Kingdom, Italy, France, Germany, Spain, Slovakia
- **South America:** Brazil • **Asia:** China, Japan, Korea, Singapore

**Worldwide Brands:** NorthStar™ • Acuro™ • Dynapar™ • Hengstler™ • Harowe™

Headquarters: 1675 Delany Road • Gurnee, IL 60031-1282 • USA • Phone: 1.847.662.2666 • Fax: 1.847.662.6633

**Customer Service:**

Tel.: +1.800.873.8731  
Fax: +1.847.662.4150  
custserv@dynapar.com

**Technical Support**

Tel.: +1.800.234.8731  
Fax: +1.847.782.5277  
northstar.techsupport@dynapar.com

**European Sales Representative**

Hengstler GmbH  
Uhlandstrasse 49, 78554 Aldingen  
Germany  
www.hengstler.de